

CLS



LUMENOPTIX™
Innovative Design for the Built Environment™

203 PROGRESS DRIVE, MONTGOMERYVILLE PA 18936

Installation Guide

LED, Commercial Cable Cylinder



Important Safety Instructions

CLS WARNINGS:

Read and follow these warnings and instructions before installing or maintaining this product.

- **WARNING** – Risk of fire or electric shock. To avoid electrical shock or fixture damage turn off power at the electrical panel prior to installation or maintenance.
- **WARNING** – Risk of fire or electric shock. Luminaire installation requires knowledge of luminaire electrical systems. If not qualified, do not attempt installation. Contact a qualified electrician.
- **WARNING** – To prevent wiring damage or abrasion, do not expose wiring to edges of sheet metal or other sharp objects.
- Warranty is void in case of unauthorized modifications and/or improper use. Do not make or alter any open holes in an enclosure of wiring or electrical components during installation.
- This product must be installed by a person familiar with the construction and operation of the product and the hazards involved, in accordance with the applicable NEC code.
- Do not install damaged product.
- Save these instructions and refer to them when additions, changes or services to the fixture or system are made.

Technical Data/Specs

- **1100 Lmn Module** - **Input:** 120-277V 50/60Hz
- 0.19A for 120V, 0.08A for 277V
Output: 200-700mA 56V
- **2000 Lmn Module** - **Input:** 120-277V 50/60Hz
- 0.38A for 120V, 0.16A for 277V
Output: 200-700mA 56V
- **2800 Lmn Module** - **Input:** 120V 60Hz - 0.5A
Output: 0.3-1.0A
Input: 277V 60Hz - 0.2A
Output: 0.2A
Input: 120-277V 60Hz - 0.3-1.0A
Output: 0.3-1.0A

Tools Needed

- **This unit does not require any tools for installation.**
- Tools may be needed to remove existing ballast. Refer to original manufacturer instructions.



Application

- Fits with retrofit existing troffers or parabolics.
- For any other applications, please consult the manufacturer.

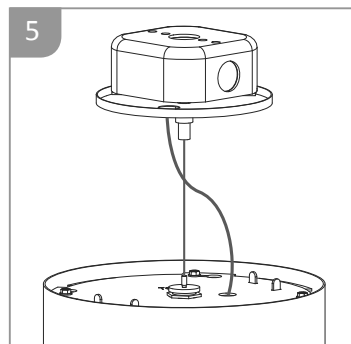
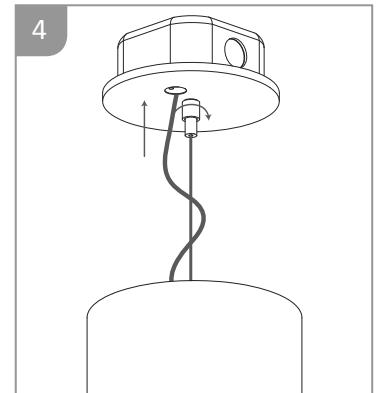
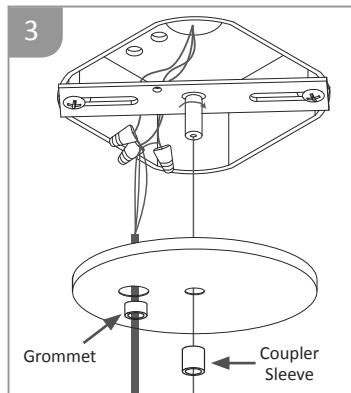
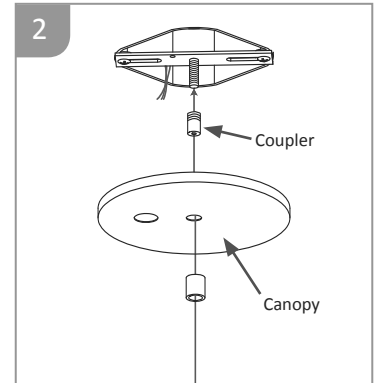
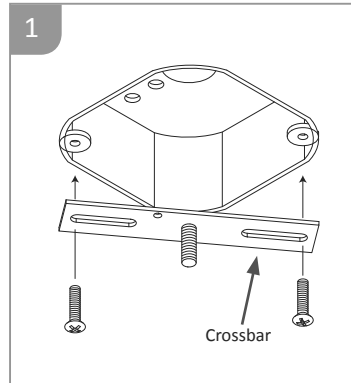
Part Numbers

CLS1-8PC
CLS1-10PC
CLS1-12PC

Installation Guide LED, Commercial Cable Cylinder

TURN OFF POWER PRIOR TO ANY WORK ON A SYSTEM OR PRODUCT. ALL WIRING MUST BE IN ACCORDANCE WITH NATIONAL AND LOCAL CODES.

1. Attach cross-bar to appropriate ceiling mounted J-Box (supplied by others).
 - a. Tighten screws (supplied by others) securely.
2. Attach cable with coupler to crossbar.
3. Make wiring connections (including ground wire) and push wires and wiring connections into J-Box, being careful not to crimp wires.
4. Slide canopy over the J-Box and secure it with coupler sleeve.
5. Installation complete. Turn power on at circuit breaker or panel.



Scan this QR code to watch a brief installation video

