

# CLS



**LUMENOPTIX™**  
Innovative Design for the Built Environment™

203 PROGRESS DRIVE, MONTGOMERYVILLE PA 18936

# Installation Guide

## LED, Commercial Tri-Cable Cylinder



### Important Safety Instructions

#### CLS WARNINGS:

Read and follow these warnings and instructions before installing or maintaining this product.

- **WARNING** – Risk of fire or electric shock. To avoid electrical shock or fixture damage turn off power at the electrical panel prior to installation or maintenance.
- **WARNING** – Risk of fire or electric shock. Luminaire installation requires knowledge of luminaire electrical systems. If not qualified, do not attempt installation. Contact a qualified electrician.
- **WARNING** – To prevent wiring damage or abrasion, do not expose wiring to edges of sheet metal or other sharp objects.
- Warranty is void in case of unauthorized modifications and/or improper use. Do not make or alter any open holes in an enclosure of wiring or electrical components during installation.
- This product must be installed by a person familiar with the construction and operation of the product and the hazards involved, in accordance with the applicable NEC code.
- Do not install damaged product.
- Save these instructions and refer to them when additions, changes or services to the fixture or system are made.

### Technical Data/Specs

- **1000 Lmn Module** - **Input:** 120-277V 50/60Hz  
- 0.19A for 120V, 0.08A for 277V  
**Output:** 200-700mA 56V
- **1500 Lmn Module** - **Input:** 120-277V 50/60Hz  
- 0.38A for 120V, 0.16A for 277V  
**Output:** 200-700mA 56V
- **2000 Lmn Module** - **Input:** 120-277V 50/60Hz  
- 0.38A for 120V, 0.16A for 277V  
**Output:** 200-700mA 56V
- **3000 Lmn Module** - **Input:** 120V 60Hz - 0.5A  
**Output:** 0.3-1.0A  
**Input:** 277V 60Hz - 0.2A  
**Output:** 0.2A  
**Input:** 120-277V 60Hz - 0.3-1.0A  
**Output:** 0.3-1.0A
- **4000 Lmn Module** - **Input:** 120-277V 50/60Hz  
- 0.38A for 120V, 0.16A for 277V  
**Output:** 200-700mA 56V



### Tools Needed

- **This unit does not require any tools for installation.**
- Tools may be needed to remove existing ballast. Refer to original manufacturer instructions.

### Application

- Fits with retrofit existing troffers or parabolics.
- For any other applications, please consult the manufacturer.

### Part Numbers

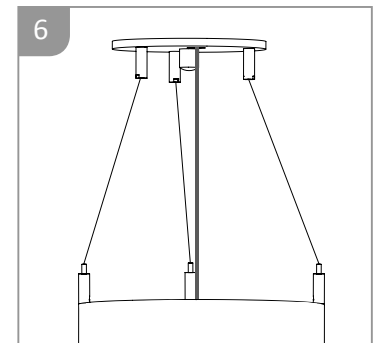
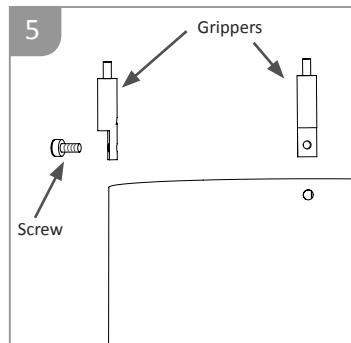
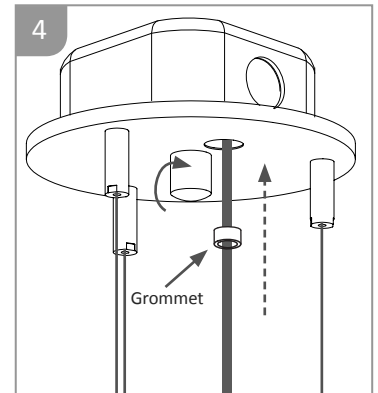
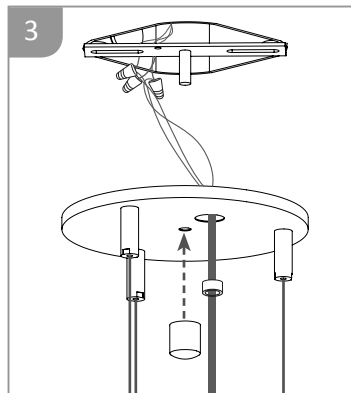
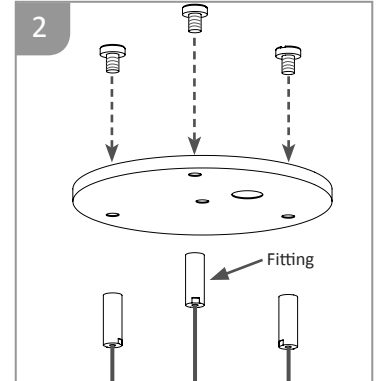
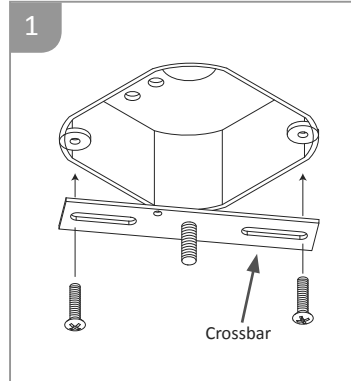
CLS1-8PT  
CLS1-10PT  
CLS1-12PT

# Installation Guide LED, Commercial Tri-Cable Cylinder

**TURN OFF POWER PRIOR TO ANY WORK ON A SYSTEM OR PRODUCT. ALL WIRING MUST BE IN ACCORDANCE WITH NATIONAL AND LOCAL CODES.**

1. Attach cross-bar to appropriate ceiling mounted J-Box (supplied by others).
  - a. Tighten screws (supplied by others) securely.
2. Feed cables through fitting, attach fitting to plate as shown using screws provided.
3. Feed cord through canopy. Attach the 3 grippers to inside surface of housing as shown with screws provided.
4. Feed wire from canopy into gripper. (If needed, to release, push down on top of the gripper.)
5. Make wiring connections (including ground wire) and push wires and wiring connections into J-Box, being careful not to crimp wires.
6. Slide canopy over the J-Box and secure it with coupler sleeve. Insert grommet as well.
7. Installation complete. Turn power on at circuit breaker or panel.

Scan this QR code to watch a brief installation video



**LUMENOPTIX™**  
Innovative Design for the Built Environment™

Call 1.800.671.6799 EST,  
Outside of the U.S. 215.671.2029

www.lumenoptix.com ©2014 LumenOptix™, LLC 3.25.14

