

Features and Benefits

- Aluminum goof ring covers flaws from oversized or misshapen holes in existing ceilings
- Tool-less installation from below ceiling
- Available sizes for 6", 8" and 10" LRD, SDR
- Made in the USA of US and Imported Parts. ARRA and Buy American compliant

Specifications

MECHANICAL

Construction: Aluminum, finish is anodized unless noted as painted.

Mounting: Installs on top of LRD, SDR housing flange. Goof Ring slips over LRD, SDR housing before inserting into rough-in kit

Dimensions:

06 = 8.25" OD fits LRD6, SDR6

08 = 10" OD fits LRD8, SDR8

10 = 13" OD fits LRD10, SDR10

WARRANTY

5 years when used in accordance with manufacturing guidelines.

See www.lumenoptix.com for details.

LABELS & LISTINGS

Non IC rated, ARRA compliant, DLC Listed



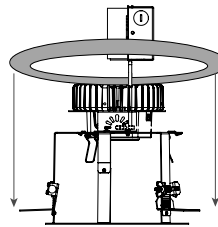
LED Accessories, Goof Ring

For LRD



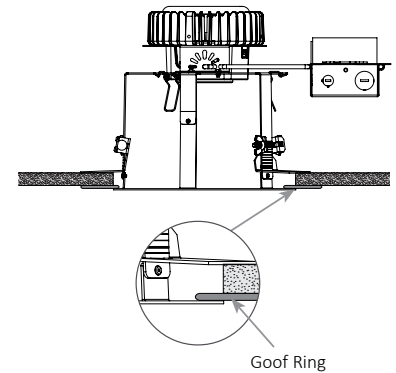
STEP 1

LRD and goof ring slips into existing misshapen hole, covering flaws and providing a secure fit.



STEP 2

Goof Ring slips over LRD housing before inserting into rough-in kit.



DIMENSIONS & FIXTURE CONFIGURATIONS



REMODEL RING

DIMENSIONS	6"	8"	10"
DIM A	8.25"	10"	13"

For custom sizes please contact factory.

MODEL NUMBER / ORDERING KEY

GR	SIZE	FINISH	ANODIZED	WIDTH
GR	06 Compatible with 6" LRD	RM Semi-specular (Anodized)	(Blank or CL) Clear	10 1" Flange width (standard for 6 and 8")
	08 Compatible with 8" LRD	RD Diffused (Anodized)	CZ Bronze	15 1.5" Flange width (standard for 10")
	10 Compatible with 10" LRD	RS Specular (Anodized)	CB Black	<i>Contact factory for other widths.</i>
		RP Painted	CK Gold	
			CG Graphite	
			PAINTED	
			CW Painted White	

Contact factory for other anodized and painted colors.