

### Features and Benefits

- Aluminum goof ring covers flaws from oversized or misshapen holes in existing ceilings
- Tool-less installation from below ceiling
- Available sizes for 6", 8" and 10" LRD, SDR
- Made in the USA of US and Imported Parts. ARRA and Buy American compliant

### Specifications

#### MECHANICAL

**Construction:** Aluminum, finish is anodized unless noted as painted.

**Mounting:** Installs on top of LRD, SDR housing flange. Goof Ring slips over LRD, SDR housing before inserting into rough-in kit

#### Dimensions:

06 = 8.25" OD fits LRD6, SDR6

08 = 10" OD fits LRD8, SDR8

10 = 13" OD fits LRD10, SDR10

#### WARRANTY

5 years when used in accordance with manufacturing guidelines.

See [www.lumenoptix.com](http://www.lumenoptix.com) for details.

#### LABELS & LISTINGS

Non IC rated, ARRA compliant, DLC Listed



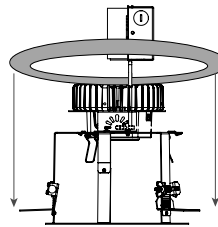
### LED Accessories, Goof Ring

For LRD



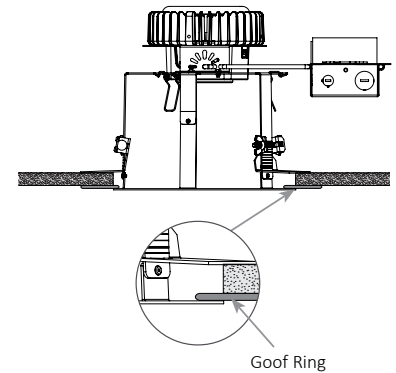
#### STEP 1

LRD and goof ring slips into existing misshapen hole, covering flaws and providing a secure fit.



#### STEP 2

Goof Ring slips over LRD housing before inserting into rough-in kit.



### DIMENSIONS & FIXTURE CONFIGURATIONS



#### REMODEL RING

DIMENSIONS	6"	8"	10"
DIM A	8.25"	10"	13"

*For custom sizes please contact factory.*

### MODEL NUMBER / ORDERING KEY

GR	SIZE	FINISH	ANODIZED	WIDTH
GR	06 Compatible with 6" LRD	RM Semi-specular (Anodized)	(Blank or CL) Clear	10 1" Flange width (standard for 6 and 8")
	08 Compatible with 8" LRD	RD Diffused (Anodized)	CZ Bronze	15 1.5" Flange width (standard for 10")
	10 Compatible with 10" LRD	RS Specular (Anodized)	CB Black	<i>Contact factory for other widths.</i>
		RP Painted	CK Gold	
			CG Graphite	
			<b>PAINTED</b>	
			CW Painted White	

*Contact factory for other anodized and painted colors.*