



LER

Installation Guide

LER, LED Evolution Retrofit

Important Safety Instructions

- **Read and follow these warnings and instructions before installing or maintaining this product.**
- **Turn off power prior to any work on the track, system or product.**
- **Do not install damaged product.**
- This product must be installed in accordance with all applicable installation codes and ordinances.
- This product must be installed by a person familiar with the construction and operation of the product and the hazards involved, in accordance with the applicable NEC code.
- Warranty is void in case of unauthorized modifications and/or improper use.
- Save these instructions and refer to them when additions, changes or services to the fixture or system are made.
- This unit is intended for retrofitting UL listed luminaires only.
- **WARNING – Risk of fire or electric shock.** Luminaire wiring and electrical parts may be damaged when drilling for installation of LED retrofit kit. Check for enclosed wiring and components.
- **WARNING – Risk of fire or electric shock.** LED Retrofit Kit installation requires knowledge of luminaires electrical systems. If not qualified, do not attempt installation. Contact a qualified electrician.
- **WARNING – Risk of fire or electric shock.** Install this kit only in the luminaires that have the construction features and dimensions shown in the photographs and/or drawings.
- Do not make or alter any open holes in an enclosure of wiring or electrical components during kit installation.
- **WARNING – To prevent wiring damage or abrasion, do not expose wiring to edges of sheet metal or other sharp objects.**



Tools Needed

- **This unit does not require any tools for installation.**
- Tools may be needed to remove existing ballast. Refer to original manufacturer instructions.

Application

- This unit is intended to retrofit existing troffers or parabolics.
- For any other applications, please consult the manufacturer.

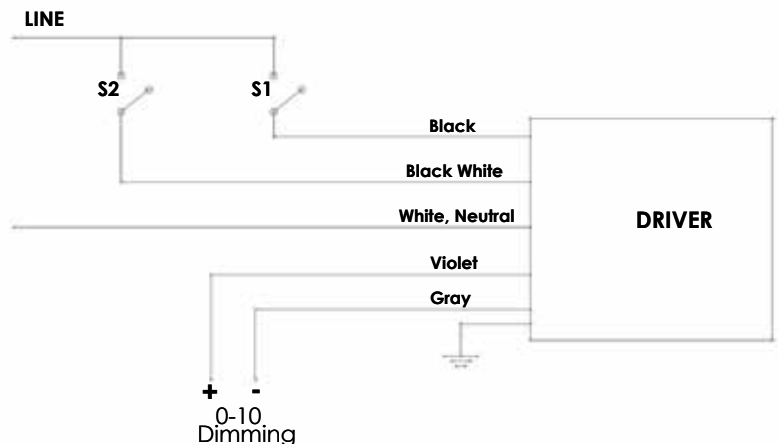
Part Numbers

LER-22
LER-24

CONTROL WIRING

- Use Violet (+) & Gray (-) for connection to 0-10vDC.
- Driver protected if line voltage is applied.
- Wiring Violet & Gray together provides 3% light output.
- Capping Violet & Gray separately provides 100% light output.

S1	S2	Input Power
Open	Open	0%
Open	Close	50%
Close	Open	50%
Close	Close	100%



1. POWER

- a. Disconnect your electrical power before installation. Never perform any work on a live circuit.

2. REMOVE existing components

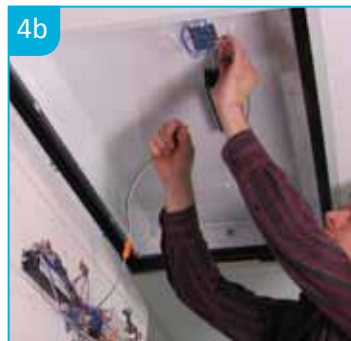
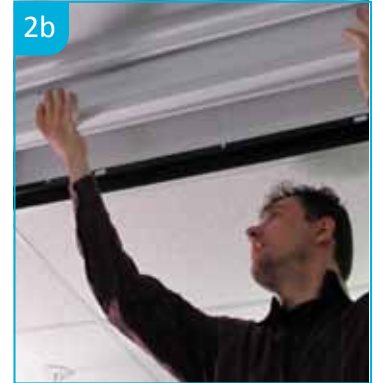
- a. Remove door frame, louver or lens from existing fixture.
- b. Remove lamps and be sure to dispose of them properly. Disconnect power leads and ground lead from ballast and if necessary for clearance, remove ballast.

3. PREPARE

- a. Elevate existing fixture and place a spacer (provided) under each end of the fixture as shown.

4. INSTALL

- a. Lift LED retrofit fixture and as shown rest hinge pin on T-bar at each end of the housing.
- b. Connect leads from LED driver to power supply leads. See other side for wiring instructions.
- c. Connect safety tethers provided on each end of housing to convenient slots or other attachment locations on existing fixture housing. If third tether is required by local codes it is enclosed.
- d. Rotate fixture as shown slightly above T-bar grid and shift exposed flange to rest on top of T-bar flange.
- e. Last, be sure to bring fixture into place resting between T-bar grids.
- f. Installation complete. Turn power on at circuit breaker or panel.



Scan this QR code to watch a brief installation video

