

FEATURES AND BENEFITS

- Converts any existing recessed round downlight to LED
- Below the ceiling tool-less installation in minutes
- Optimized for maximum efficacy and efficiency
- Superior color rendering with >80 CRI
- Superior fixture to fixture consistency over lifetime
- Specification grade construction and optical system
- Up to 90% in energy savings over conventional energy sources
- 50,000 hour life at L70, significantly reduces maintenance costs
- CSA certified for damp locations
- Made in the USA. ARRA and Buy American compliant

MECHANICAL

Housing: Made from 16GA galvanized steel with flange to accommodate different size openings. Three tool-less adjustable clips assure proper seating to any ceiling thickness (see below table).

Reflector: Proprietary designed, spun 16GA, polished anodized aluminum in narrow, medium and wide distributions for different applications. Available in clear Alzak®, semi-spec and diffused finish. Additional colors are also available.

Lens: Optional frosted or transparent.

Accessories: Goof rings (for oversized holes), remodel rings (for ceilings without a rough-in kit), 2x2 and 2x4 ceiling lay-ins. For rough-in kits, consult factory. See separate spec sheets for specifications.

ELECTRICAL

LED Light Engine: Philips DLM Fortimo or DLM Flex with CRI of >80 and 50,000 hours at L70.

LED Driver: Available with a variety of dimming options (see ordering key for details). Attached junction box pre-wired with flexible metal cable for connection to a 1/2" trade size KO. A pre-wired quick connect is included to simplify wiring.²

WARRANTY

10 year limited warranty on luminaire. Pass through warranties on components when used in accordance with manufacturing guidelines. See www.lumenoptix.com for details.

LABELS & LISTINGS



Downlights LED Retrofit Downlight Philips Module

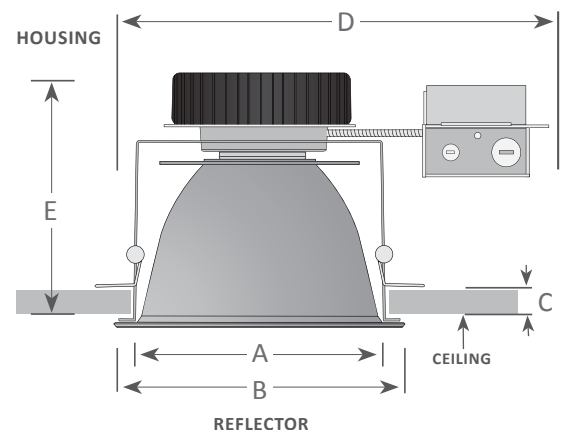
TECHNICAL DATA ¹			
LUMEN PACKAGE	1000	2000	3000
NOMINAL WATTAGE	15	28	43
POWER FACTOR	>0.9	>0.9	>0.9
THD	<10%	<10%	<10%
CRI	>80	>80	>80
INPUT FREQUENCY	% Hz	% Hz	% Hz

¹Values are for non-dimming and 0-10V dimming.



DIMENSIONS & FIXTURE CONFIGURATIONS

	6"	7"	8"	10"
A Cut-Out Dimension <i>Without Goof Ring³</i>	6.50" - 6.97"	7.27" - 7.82"	7.87" - 8.42"	9.86" - 10.34"
B Reflector Diameter	7.40"	8.09"	8.78"	10.79"
C Maximum Ceiling & Rough-In Kit Thickness	1.75"	3.00"	3.50"	4.60"
D Width of LRD with Swing Arm Extended	Consult factory	Consult Factory	Consult factory	Consult factory
E Height from bottom of ceiling	5.34" - 6.81" Consult factory	6.59" - 8.06" Consult factory	7.01" - 8.48" Consult factory	8.11" - 9.58" Consult factory



² Fixture is not tested for through wiring.

³ Consult factory for cutout dimensions when using goof rings.

Downlights
LED Retrofit Downlight
Philips Module

MODEL NUMBER / ORDERING KEY

SERIES	SIZE	NOMINAL LUMENS	COLOR TEMPERATURE AND CRI	BEAM SPREAD	REFLECTOR FINISH	REFLECTOR COLOR	FLANGE	DIMMING
LRD1 LED Retrofit Downlight Specification Grade Philips DLM Fortimo or DLM Flex	06 6" 07 7" 08 8" 10 10"	10 1000 lumens 20 2000 lumens 30 3000 lumens	8030 3000K>80CRI 8035 3500K>80CRI 8040 4000K>80CRI	N Narrow (Not available in 6") M Medium (Not available in 7") W¹ Wide Wall Wash (6" RD finish only)	RM Semi-specular (Anodized) RD Diffused (Anodized) RS Specular (Anodized) RP Painted	ANODIZED (Blank or CL) Clear CZ Bronze CB Black CK Gold CG Graphite CH Warm Haze CP Pewter CT Wheat CS Straw PAINTED CW Painted White	(Blank or FM) Match reflector color FB Black FW White	(Blank or DUX) Non dimming (120V-277V) DU1 0-10V dimming (120V-277V) DU5 Lutron® Hi-Lume 1% 3 wire dimming (120V-277V) DU6 Lutron® Hi-Lume 1% EcoSystem dimming (120V-277V) D13 Lutron® Hi-Lume 1% 2 wire leading edge dimming (120V) D14 2 wire trailing edge dimming (120V)
	<i>See dimension chart for exact sizes.</i>			<i>¹ 6" wide beam includes a faceted reflector.</i>		<i>Contact factory for other anodized and painted colors.</i>	<i>Consult factory for custom colors.</i>	<i>Consult factory for dimmer compatibility, dimmer options and other voltages.</i>

OPTIONS (PRE-INSTALLED)

EMERGENCY LIGHTING	LENS	OTHER
(Blank or EBXX) No emergency battery back-up installed EB² Emergency battery back-up	(Blank or LXX) No lens installed L01 Frosted lens L02 Transparent lens	(Blank) No option included
<i>² Consult factory.</i>		

VISIT WWW.LUMENOPTIX.COM FOR AVAILABLE ACCESORIES

GOOF RING	REMODEL RING	STEP DOWN TRANSFORMER
GR Goof Ring GC² Goof Ring, custom color or size	RR Remodel Ring RK Rough-in Kit	V2² Step-down transformer (for 347-480V)
<i>² Consult factory.</i>		<i>² Consult factory.</i>

Product specifications subject to change without notice.
For the most current spec sheet, visit our website www.lumenoptix.com.

