

FEATURES AND BENEFITS

- Converts any existing recessed round downlight to LED
- Below the ceiling tool-less installation in minutes
- Interchangeable twist and lock LED module
- Optimized for maximum efficacy and efficiency
- Superior color rendering with typical >92 CRI
- Superior fixture to fixture consistency over lifetime
- Specification grade construction and optical system
- Up to 90% in energy savings over conventional energy sources
- 50,000 hour life at L70, significantly reduces maintenance costs
- EnergyStar®, CSA certified for damp locations
- Made in the USA. ARRA and Buy American compliant



Downlights
**LED Retrofit Downlights
 GE Module**

MECHANICAL

Housing: Made from 16GA galvanized steel with flange to accommodate different size openings. Three tool-less adjustable clips assure proper seating to any ceiling thickness (see below table).

Reflector: Proprietary designed, spun 16GA, polished anodized aluminum in narrow, medium and wide distributions for different applications. Available in clear Alzak®, semi-spec and diffused finish. Additional colors are also available.

Lens: Optional frosted or transparent.

Accessories: Goof rings, remodel rings, 347V step-down transformers. For rough-in kits, consult factory. See reverse side for details.

ELECTRICAL

LED Light Engine: GE Infusion Twist and Lock replacable LED module with typical 92 CRI, 90 CRI minimum and 50,000 hours at L70.

LED Driver: Available with a variety of dimming options (see ordering key for details). Attached junction box pre-wired with flexible metal cable for connection to a 1/2" trade size KO. A pre-wired quick connect is included to simplify wiring.²

TECHNICAL DATA ¹					
LUMEN PACKAGE	1000	1500	2000	3000	4000
NOMINAL WATTAGE	11	14	22	34	43
POWER FACTOR	>0.9	>0.9	>0.9	>0.9	>0.9
THD	<10%	<10%	<10%	<10%	<10%
CRI	>90	>90	>90	>90	>90
INPUT FREQUENCY	% Hz	% Hz	% Hz	% Hz	% Hz

¹Values are for non-dimming and 0-10V dimming.

WARRANTY

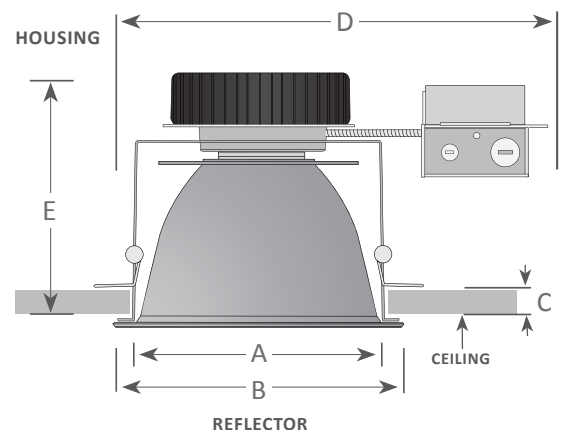
10 year limited warranty on luminaire. Pass through warranties on components when used in accordance with manufacturing guidelines. See www.lumenoptix.com for details.

LABELS & LISTINGS



DIMENSIONS & FIXTURE CONFIGURATIONS

	6"	7"	8"	10"
A Cut-Out Dimension Without Goof Ring ³	6.50" - 6.97"	7.27" - 7.82"	7.87" - 8.42"	9.86" - 10.34"
B Reflector Diameter	7.40"	8.09"	8.78"	10.79"
C Maximum Ceiling & Rough-In Kit Thickness	1.75"	3.00"	3.50"	4.60"
D Width of LRD with Swing Arm Extended	Consult factory	Consult Factory	Consult factory	Consult factory
E Height from bottom of ceiling	5.34" - 6.81" Consult factory	6.59" - 8.06" Consult factory	7.01" - 8.48" Consult factory	8.11" - 9.58" Consult factory



² Fixture is not tested for through wiring.

³ Consult factory for cutout dimensions when using goof rings.

MODEL NUMBER / ORDERING KEY

SERIES	SIZE	NOMINAL LUMENS	CRI & COLOR TEMP.	BEAM SPREAD	REFLECTOR FINISH	REFLECTOR COLOR	FLANGE	DIMMING
LRD2 LED Retrofit Downlight Specification Grade GE DLM Infusion	06 6"	10 1000 lumens	9027 2700K, 92CRI	N Narrow (Not available in 6")	RM Semi-specular (Anodized)	ANODIZED (Blank or CL) Clear	(Blank or FM) Match reflector color	(Blank or DUX) Non dimming (120V-277V)
	07 7"	15 1500 lumens	9030 3000K, 92CRI	M Medium (Not available in 7")	RD Diffused (Anodized)	CZ ¹ Bronze	FB Black	DU1 0-10V dimming (120V-277V)
	08 8"	20 2000 lumens	9035 3500K, 92CRI	W Wide	RS Specular (Anodized)	CB ¹ Black	FW White	DU5 Lutron® Hi-Lume 1% 3 wire dimming (120V-277V) ²
	10 10"	30 3000 lumens	9040 4000K, 92CRI	Wall Wash (6" RD finish only)	RP Painted	CK ¹ Gold		DU6 Lutron® Hi-Lume 1% EcoSystem dimming (120V-277V)
		40 4000 lumens				CG ¹ Graphite		D13 ² Lutron® Hi-Lume 1% 2 wire leading edge dimming (120V)
								D14 ² 2 wire trailing edge dimming (120V)
						PAINTED CW ¹ Painted White		

See dimension chart for exact sizes.

Listed lumen output is nominal.

*Contact factory for other anodized and painted colors.
¹Not EnergyStar Certified.*

*Available in select configurations, consult factory.
For other voltages and dimming options, consult factory.
Consult factory for dimmer compatibility.*

²Not available with 4000 lumen option.

OPTION (PRE-INSTALLED)

EMERGENCY LIGHTING	LENS	OTHER
(Blank or EBXX) No emergency battery back-up installed	(Blank or LXX) No lens installed	(Blank) No option included
EB ³ Emergency battery back-up	L01 ¹ Frosted lens	
	L02 Transparent lens	

³Consult factory.

¹Not EnergyStar Certified.

VISIT WWW.LUMENOPTIX.COM FOR AVAILABLE ACCESSORIES

GOOF RING	REMODEL RING	STEP DOWN TRANSFORMER
GR Goof Ring	RR Remodel Ring	V2 ³ Step-down transformer (for 347-480V)
GC ³ Goof Ring, custom color or size	RK Rough-in Kit	

³Consult factory.

Product specifications subject to change without notice.
For the most current spec sheet, visit our website www.lumenoptix.com.