

## FEATURES AND BENEFITS

- Optimized for maximum efficacy and efficiency
- Converts any existing recessed round downlight to LED
- Below the ceiling tool-less installation in minutes
- Exceptional color rendering with >90 CRI
- Superior fixture to fixture consistency over lifetime
- Specification grade construction and optical system
- Up to 90% in energy savings over conventional light sources
- 50,000 hour life at L70 significantly reduces maintenance costs
- Optional sunset dimming. Dims from 2700K - 1800K
- EnergyStar®, CSA certified for damp locations
- Made in the USA. ARRA and Buy American compliant



## Downlights LED Retrofit Downlight Cree LMH2 Module

## MECHANICAL

**Housing:** Made from 16GA galvanized steel with flange to accommodate different size openings. Three tool-less adjustable clips assure proper seating to any ceiling thickness (see below table).

**Reflector:** Proprietary designed, spun 16GA, polished anodized aluminum in narrow, medium and wide distributions for different applications. Available in clear Alzak®, semi-spec and diffused finish. Additional colors are also available.

**Lens:** Optional frosted or transparent.

**Accessories:** Goof rings, remodel rings, 347V step-down transformers. For rough-in kits, consult factory. See reverse side for details.

## ELECTRICAL

**LED Light Engine:** CREE™ LMH2 LED module with typical 92 CRI, 90 CRI

**LED Driver:** Available with a variety of dimming options (see ordering key for details). Attached or remote junction box pre-wired with flexible metal cable for connection to a 1/2" trade size KO. A pre-wired quick connect is included to simplify wiring.<sup>2</sup>

## WARRANTY

10 year limited warranty on luminaire. Pass through warranties on components when used in accordance with manufacturing guidelines. See [www.lumenoptix.com](http://www.lumenoptix.com) for details.

## LABELS & LISTINGS

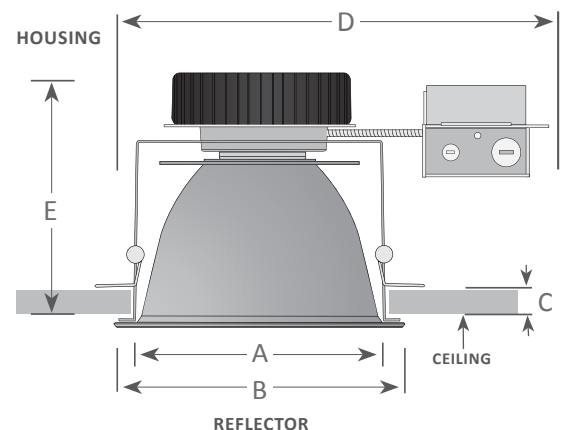


TECHNICAL DATA <sup>1</sup>						
LUMEN PACKAGE	1250	2000	3000	4000	6000	8000
NOMINAL WATTAGE	16	24	36	43	80	103
POWER FACTOR	>0.9	>0.9	>0.9	>0.9	>0.9	>0.9
THD	<10%	<10%	<10%	<10%	<10%	<10%
CRI	>90	>90	>90	>90	>90	>90
INPUT FREQUENCY	% Hz	% Hz	% Hz	% Hz	% Hz	% Hz

<sup>1</sup> Values are for non-dimming and 0-10V dimming.

## DIMENSIONS & FIXTURE CONFIGURATIONS

	6"	7"	8"	10"
<b>A</b> Cut-Out Dimension <i>Without Goof Ring<sup>3</sup></i>	6.50" - 6.97"	7.27" - 7.82"	7.87" - 8.42"	9.86" - 10.34"
<b>B</b> Reflector Diameter	7.40"	8.09"	8.78"	10.79"
<b>C</b> Maximum Ceiling & Rough-In Kit Thickness	1.75"	3.00"	3.50"	4.60"
<b>D</b> Width of LRD with Swing Arm Extended	Consult factory	Consult Factory	Consult factory	Consult factory
<b>E</b> Height from bottom of ceiling	5.34"- 6.81" Consult factory	6.59"- 8.06" Consult factory	7.01"- 8.48" Consult factory	8.11"- 9.58" Consult factory



<sup>2</sup> Fixture is not tested for through wiring.

<sup>3</sup> Consult factory for cutout dimensions when using goof rings.

Downlights  
**LED Retrofit Downlight**  
**Cree LMH2 Module**

**MODEL NUMBER / ORDERING KEY**

SERIES	SIZE	NOMINAL LUMENS	COLOR TEMPERATURE AND CRI	BEAM SPREAD	REFLECTOR FINISH	REFLECTOR COLOR	FLANGE	DIMMING
LRD3								
<b>LRD3</b> LED Retrofit Downlight - Specification Grade Cree LMH2	<b>06</b> 6" <b>07</b> 7" <b>08</b> 8" <b>10</b> 10"	<b>10</b> 1250 lumens <b>20</b> 2000 lumens <b>30</b> 3000 lumens <b>40<sup>1</sup></b> 4000 lumens <b>60<sup>1</sup></b> 6000 lumens <b>80<sup>1</sup></b> 8000 lumens	<b>9327</b> 2700K, 92CRI <b>9330</b> 3000K, 92CRI <b>9335</b> 3500K, 92CRI <b>9340</b> 4000K, 92CRI <b>9350<sup>2</sup></b> 5000K, 92CRI <b>9427</b> 2700K - 1800K Sunset Dimming, 92CRI	<b>N</b> Narrow (Not available in 6") <b>M</b> Medium (Not available in 7") <b>W<sup>3</sup></b> Wide <b>Wall Wash</b> (6" & RD finish only)	<b>RM</b> Semi-specular (Anodized) <b>RD</b> Diffused (Anodized) <b>RS</b> Specular (Anodized) <b>RP</b> Painted	<b>ANODIZED</b> (Blank or CL) Clear <b>CZ<sup>4</sup></b> Bronze <b>CB<sup>4</sup></b> Black <b>CK<sup>4</sup></b> Gold <b>CG<sup>4</sup></b> Graphite <b>CH<sup>4</sup></b> Warm Haze <b>CP<sup>4</sup></b> Pewter <b>CT<sup>4</sup></b> Wheat <b>CS<sup>4</sup></b> Straw <b>PAINTED</b> <b>CW<sup>4</sup></b> Painted White  <i>Consult factory for other anodized and painted colors.</i>  <sup>4</sup> Not EnergyStar certified.	<b>(Blank or FM)</b> Match reflector color <b>FB</b> Black <b>FW</b> White	<b>(Blank or DUX)</b> Non dimming (120V-277V) <b>DU1</b> 0-10V dimming (120V-277V) <b>DU5<sup>5</sup></b> Lutron® Hi-Lume 1% 3 wire dimming (120V-277V) <b>DU6</b> Lutron® Hi-Lume 1% EcoSystem dimming (120V-277V) <sup>4</sup> <b>D13<sup>5</sup></b> Lutron® Hi-Lume 1% 2 wire leading edge dimming (120V) <b>D14<sup>5</sup></b> 2 wire trailing edge dimming (120V)  <sup>5</sup> Not available with 8000 lumens. <sup>4</sup> Not available with 6000 lumens or greater.  <i>Consult factory for dimmer compatibility, dimmer options and other voltages.</i>
	<i>See dimension chart for exact sizes.</i>	<sup>1</sup> N/A w sunset dimming. <i>Consult factory for max ambient temperature.</i>	<sup>2</sup> Only available with 4000 or 6000 lumens.	<sup>3</sup> 6" wide beam includes a faceted reflector.				

**OPTION (PRE-INSTALLED)**

EMERGENCY LIGHTING	LENS	OTHER
<b>(Blank or EBXX)</b> No emergency battery back-up installed <b>EB01<sup>5</sup></b> Emergency battery back-up	<b>(Blank or LXX)</b> No lens installed <b>L01<sup>4</sup></b> Frosted lens <b>L02</b> Transparent lens	<b>(Blank)</b> No option included
<sup>5</sup> Not available with 8000 lumens.	<sup>4</sup> Not EnergyStar Certified.	

**VISIT WWW.LUMENOPTIX.COM FOR AVAILABLE ACCESORIES**

GOOF RING	REMODEL RING	STEP DOWN TRANSFORMER
<b>GR</b> Goof Ring <b>GC<sup>7</sup></b> Goof Ring, custom color or size	<b>RR</b> Remodel Ring <b>RK</b> Rough-in Kit	<b>V2<sup>7</sup></b> Step-down transformer (for 347-480V)
<sup>7</sup> Consult factory.		<sup>7</sup> Consult factory.

Product specifications subject to change without notice.  
 For the most current spec sheet, visit our website [www.lumenoptix.com](http://www.lumenoptix.com).

