

## FEATURES AND BENEFITS

- Optimized for maximum efficacy and efficiency
- Converts any existing recessed round downlight to LED
- Below the ceiling tool-less installation in minutes
- Exceptional color rendering with >90 CRI
- Superior fixture to fixture consistency over lifetime
- Specification grade construction and optical system
- Up to 90% in energy savings over conventional light sources
- 50,000 hour life at L70 significantly reduces maintenance costs
- Optional sunset dimming. Dims from 2700K - 1800K
- EnergyStar®, CSA certified for damp locations
- Made in the USA. ARRA and Buy American compliant



Downlights  
**LED Retrofit Downlight  
 Cree LMH2 Module**

## MECHANICAL

**Housing:** Made from 16GA galvanized steel with flange to accommodate different size openings. Three tool-less adjustable clips assure proper seating to any ceiling thickness (see below table).

**Reflector:** Proprietary designed, spun 16GA, polished anodized aluminum in narrow, medium and wide distributions for different applications. Available in clear Alzak®, semi-spec and diffused finish. Additional colors are also available.

**Lens:** Optional frosted or transparent.

**Accessories:** Goof rings, remodel rings, 347V step-down transformers. For rough-in kits, consult factory. See reverse side for details.

## ELECTRICAL

**LED Light Engine:** CREE™ LMH2 LED module with typical 92 CRI, 90 CRI

**LED Driver:** Available with a variety of dimming options (see ordering key for details). Attached or remote junction box pre-wired with flexible metal cable for connection to a 1/2" trade size KO. A pre-wired quick connect is included to simplify wiring.<sup>2</sup>

## WARRANTY

10 year limited warranty on luminaire. Pass through warranties on components when used in accordance with manufacturing guidelines. See [www.lumenoptix.com](http://www.lumenoptix.com) for details.

## LABELS & LISTINGS

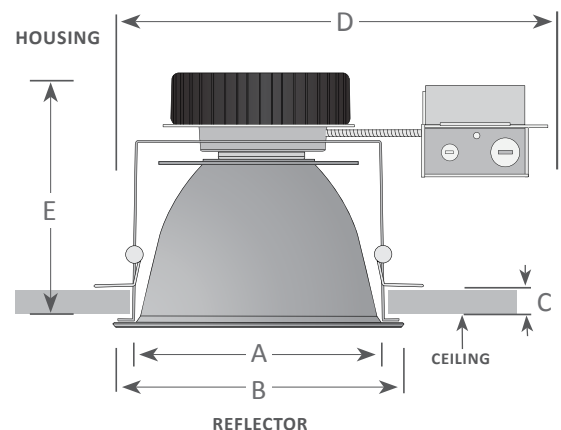


TECHNICAL DATA <sup>1</sup>						
LUMEN PACKAGE	1250	2000	3000	4000	6000	8000
NOMINAL WATTAGE	16	24	36	43	80	103
POWER FACTOR	>0.9	>0.9	>0.9	>0.9	>0.9	>0.9
THD	<10%	<10%	<10%	<10%	<10%	<10%
CRI	>90	>90	>90	>90	>90	>90
INPUT FREQUENCY	% Hz	% Hz	% Hz	% Hz	% Hz	% Hz

<sup>1</sup> Values are for non-dimming and 0-10V dimming.

## DIMENSIONS & FIXTURE CONFIGURATIONS

	6"	7"	8"	10"
<b>A</b> Cut-Out Dimension Without Goof Ring <sup>3</sup>	6.50" - 6.97"	7.27" - 7.82"	7.87" - 8.42"	9.86" - 10.34"
<b>B</b> Reflector Diameter	7.40"	8.09"	8.78"	10.79"
<b>C</b> Maximum Ceiling & Rough-In Kit Thickness	1.75"	3.00"	3.50"	4.60"
<b>D</b> Width of LRD with Swing Arm Extended	Consult factory	Consult Factory	Consult factory	Consult factory
<b>E</b> Height from bottom of ceiling	5.34"- 6.81" Consult factory	6.59"- 8.06" Consult factory	7.01"- 8.48" Consult factory	8.11"- 9.58" Consult factory



<sup>2</sup> Fixture is not tested for through wiring.

<sup>3</sup> Consult factory for cutout dimensions when using goof rings.

Downlights  
LED Retrofit Downlight  
Cree LMH2 Module

MODEL NUMBER / ORDERING KEY

SERIES	SIZE	NOMINAL LUMENS	CRI & COLOR TEMP.	BEAM SPREAD	REFLECTOR FINISH	REFLECTOR COLOR	FLANGE	DIMMING
LRD3 LED Retrofit Downlight - Specification Grade Cree LMH2	06 6"	10 1250 lumens	9327 2700K, 92CRI	N Narrow (Not available in 6")	RM Semi-specular (Anodized)	<b>ANODIZED</b> (Blank or CL) Clear C2 <sup>3</sup> Bronze CB <sup>3</sup> Black CK <sup>3</sup> Gold CG <sup>3</sup> Graphite CH <sup>3</sup> Warm Haze CP <sup>3</sup> Pewter CT <sup>3</sup> Wheat CS <sup>3</sup> Straw  <b>PAINTED</b> CW <sup>3</sup> Painted White  <i>Consult factory for other anodized and painted colors.</i> <sup>3</sup> Not EnergyStar certified.	(Blank or FM) Match reflector color FB Black FW White	(Blank or DUX) Non dimming (120V-277V) DU1 0-10V dimming (120V-277V) DU5 <sup>4</sup> Lutron® Hi-Lume 1% 3 wire dimming (120V-277V) DU6 Lutron® Hi-Lume 1% EcoSystem dimming (120V-277V) <sup>4</sup> D13 <sup>5</sup> Lutron® Hi-Lume 1% 2 wire leading edge dimming (120V) D14 <sup>5</sup> 2 wire trailing edge dimming (120V)  Available in select configurations, consult factory.  For other voltages and dimming options, consult factory.  Consult factory for dimmer compatibility.
	07 7"	20 2000 lumens	9330 3000K, 92CRI	M Medium (Not available in 7")	RD Diffused (Anodized)			
	08 8"	30 3000 lumens	9335 3500K, 92CRI	W Wide	RS Specular (Anodized)			
	10 10"	40 <sup>1</sup> 4000 lumens	9340 4000K, 92CRI	Wall Wash (6" & RD finish only)	RP Painted			
		60 <sup>1</sup> 6000 lumens	9350 <sup>2</sup> 5000K, 92CRI					
		80 <sup>1</sup> 8000 lumens	9427 2700K - 1800K Sunset Dimming, 92CRI					

OPTION (PRE-INSTALLED)

EMERGENCY LIGHTING	LENS	OTHER
(Blank or EBXX) No emergency battery back-up installed EB01 <sup>6</sup> Emergency battery back-up	(Blank or LXX) No lens installed L01 <sup>3</sup> Frosted lens L02 Transparent lens  <sup>3</sup> Not EnergyStar Certified.	(Blank) No option included

<sup>6</sup>Not available with 8000 lumen option.

<sup>4</sup>Not available with 8000 lumen option.

<sup>5</sup>Not available with 6000 lumen or greater option.

VISIT WWW.LUMENOPTIX.COM FOR AVAILABLE ACCESSORIES

GOOF RING	REMODEL RING	STEP DOWN TRANSFORMER
GR Goof Ring GC <sup>7</sup> Goof Ring, custom color or size	RR Remodel Ring RK Rough-in Kit	V2 <sup>7</sup> Step-down transformer (for 347-480V)

<sup>7</sup>Consult factory.

<sup>7</sup>Consult factory.

Product specifications subject to change without notice.  
For the most current spec sheet, visit our website [www.lumenoptix.com](http://www.lumenoptix.com).