

## FEATURES AND BENEFITS

- Converts any existing recessed round downlight to LED
- Below the ceiling tool-less installation in minutes
- Specification grade construction and optical system
- Optimized for maximum efficacy and efficiency
- Exceptional color rendering with 82 CRI typical
- Superior fixture to fixture consistency over lifetime
- Up to 90% in energy savings over conventional light sources
- 50,000 hour life at L70, significantly reduces maintenance costs
- CSA certified for damp location
- Made in the USA, ARRA and Buy American compliant



## Downlights Specification Downlight Retrofit

## MECHANICAL

**Housing:** Made from 16GA galvanized steel with flange to accommodate different size openings. Three tool-less adjustable clips assure proper seating to any ceiling thickness (see below table).

**Reflector:** Proprietary designed, spun 16GA, polished anodized aluminum in narrow, medium and wide distributions for different applications. Available in clear Alzak®, semi-spec and diffused finish. Additional colors are also available.

**Lens:** Optional frosted or transparent.

**Accessories:** Goof rings, remodel rings, 347V step-down transformers. For rough-in kits, consult factory. See reverse side for details.

## ELECTRICAL

**LED Light Engine:** Lumileds L2C2 12XX series COB LEDs with typical 82 CRI minimum.

**LED Driver:** Available with a variety of dimming options (see ordering key for details). Attached or remote junction box pre-wired with flexible metal cable for connection to a 1/2" trade size KO. A pre-wired quick connect is included to simplify wiring.<sup>2</sup>

## WARRANTY

10 year limited warranty on luminaire. Pass through warranties on components when used in accordance with manufacturing guidelines. See [www.lumenoptix.com](http://www.lumenoptix.com) for details.

## LABELS & LISTINGS



TECHNICAL DATA <sup>1</sup>					
LUMEN PACKAGE	1000	1500	2000	3000	4000
NOMINAL WATTAGE	14	21	26	41	49
POWER FACTOR	>0.9	>0.9	>0.9	>0.9	>0.9
THD	<10%	<10%	<10%	<10%	<10%
CRI	>80	>80	>80	>80	>80
INPUT FREQUENCY	50% Hz	50% Hz	50% Hz	50% Hz	50% Hz

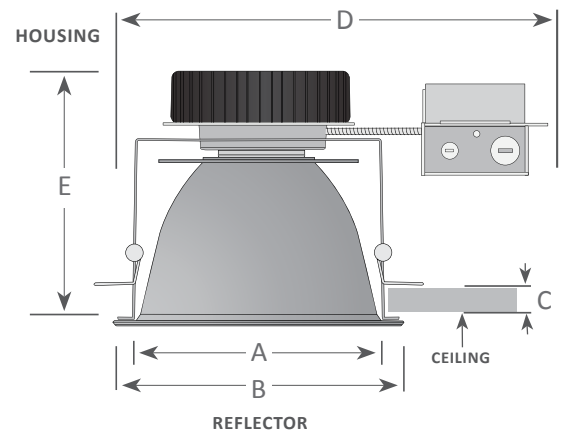
<sup>1</sup> Values are for non-dimming and 0-10V dimming.

## DIMENSIONS & FIXTURE CONFIGURATIONS

	6" Small	6"	7"	8"	10"
<b>A</b> Cut-Out Dimension <sup>3</sup> Without Goof Ring	5.90" - 6.37"	6.50" - 6.97"	7.27" - 7.82"	7.87" - 8.42"	9.86" - 10.34"
<b>B</b> Reflector Diameter	6.82"	7.40"	8.09"	8.78"	10.79"
<b>C</b> Maximum Ceiling & Rough-In Kit Thickness	2.25"	1.75"	3.00"	3.50"	4.60"
<b>D</b> Width of SDR with Swing Arm Extended	Consult factory	Consult factory	Consult factory	Consult factory	Consult factory
<b>E</b> Height from Bottom of Ceiling	4.79" - 6.20"	4.99" - 6.40"	6.24" - 7.65"	6.65" - 8.06"	7.76" - 9.16"
	Consult factory	Consult factory	Consult factory	Consult factory	Consult factory

<sup>2</sup> Fixture is not tested for through wiring.

<sup>3</sup> Consult factory for cutout dimensions when using goof rings.



# Downlights

## Specification Downlight Retrofit

### MODEL NUMBER / ORDERING KEY

SERIES	LUMEN	LED TYPE/CRI	COLOR TEMPERATURE	BEAM	FINISH	COLOR	FLANGE	DIMMING			
<b>SDR6S</b> 6" Downlight Small	<b>10</b> 1000 lumens	<b>LA8</b> Lumileds COB-82CRI	<b>27K</b> 2700 Kelvin	<b>N<sup>1</sup></b> Narrow	<b>RM</b> Semi-specular (Anodized)	<b>ANODIZED (Blank or CL)</b> Clear	<b>(Blank or FM)</b> Match reflector color	<b>D1X</b> Non dimming (120V)			
<b>SDR6</b> 6.5" Downlight	<b>15</b> 1500 lumens		<b>30K</b> 3000 Kelvin	<b>M<sup>2</sup></b> Medium					<b>CZ<sup>4</sup></b> Bronze	<b>FB</b> Black	<b>D2X</b> Non dimming (277V)
<b>SDR7</b> 7" Downlight	<b>20</b> 2000 lumens		<b>35K</b> 3500 Kelvin	<b>W</b> Wide					<b>RD</b> Diffused (Anodized)	<b>CB<sup>4</sup></b> Black	<b>D11</b> 0-10V dimming (120V)
<b>SDR8</b> 8" Downlight	<b>30</b> 3000 lumens		<b>40K</b> 4000 Kelvin	<b>S<sup>3</sup></b> Wall Wash					<b>RS</b> Specular (Anodized)	<b>CK<sup>4</sup></b> Gold	<b>D21</b> 0-10V dimming (277V)
<b>SDR10</b> 10" Downlight	<b>40</b> 4000 lumens		<b>50K</b> 5000 Kelvin						<b>RP</b> Painted	<b>CG<sup>4</sup></b> Graphite	<b>D15</b> Lutron® Hi-Lume 1% 3 wire dimming (120V)
										<b>CH<sup>4</sup></b> Warm Haze	<b>D25</b> Lutron® Hi-Lume 1% 3 wire dimming (277V)
										<b>CP<sup>4</sup></b> Pewter	<b>D16</b> Lutron® Hi-Lume 1% EcoSystem dimming (120V)
										<b>CT<sup>4</sup></b> Wheat	<b>D26</b> Lutron® Hi-Lume 1% EcoSystem dimming (277V)
										<b>CS<sup>4</sup></b> Straw	<b>D13</b> Lutron® Hi-Lume 1% 2 wire leading edge dimming (120V)
										<b>PAINTED</b> <b>CW<sup>4</sup></b> Painted White	<b>D14</b> 2 wire trailing edge dimming (120V)
<i>See dimension chart for exact sizes.</i>	<i>Consult factory for max ambient temperature.</i>			<sup>1</sup> Not available on 6". <sup>2</sup> Not available on 7". <sup>3</sup> Only available on 6".	<i>Contact factory for other anodized and painted colors.</i>	<i>For custom colors, consult factory.</i>	<i>For other voltages and dimming options, consult factory. Consult factory for dimmer compatibility.</i>				
					<sup>4</sup> Not EnergyStar certified.						

### OPTIONS (PRE-INSTALLED)

EMERGENCY LIGHTING	LENS	OTHER
<b>(Blank or EBXX)</b> No emergency battery back-up installed	<b>(Blank or LXX)</b> No lens installed	<b>(Blank)</b> No option included
<b>EB01</b> Emergency battery back-up	<b>L01<sup>4</sup></b> Frosted lens	
	<b>L02</b> Transparent lens	
	<sup>4</sup> Not EnergyStar certified	

### VISIT [WWW.LUMENOPTIX.COM](http://WWW.LUMENOPTIX.COM) FOR AVAILABLE ACCESSORIES

GOOF RING	REMODEL RING	STEP DOWN TRANSFORMER
<b>GR</b> Goof Ring	<b>RR</b> Remodel Ring	<b>V2<sup>6</sup></b> Step-down transformer (for 347-480V)
<b>GC</b> Goof Ring, custom color or size	<b>RK</b> Rough-in Kit	
		<sup>6</sup> Must select 277V dimming option.

Product specifications subject to change without notice.  
For the most current spec sheet, visit our website [www.lumenoptix.com](http://www.lumenoptix.com).