

FEATURES AND BENEFITS

- Recessed rough-in frame kit rated Non-IC for new construction or remodel applications
- Approved for all ceiling and wiring types
- Galvanized steel
- Cutout section on frame for remodel applications
- Galvanized bar hangers span up to 24" o.c. and feature built in nailer and T-bar clips

INSTALLATION

- Wood joist or T-bar installation
- Expandable bar hangers allow for off center mounting in wood joist or T-bar ceilings
- Length of 25-1/4" maximum 13-1/4" minimum or cut to fit 10-1/2" on center joist construction
- Retaining trim clips hold LRD secure and snug to ceiling
- Maximum ceiling thickness 1/2"

MECHANICAL

Galvanized steel

WARRANTY

5 years when used in accordance with manufacturing guidelines.
 See www.lumenoptix.com for details.

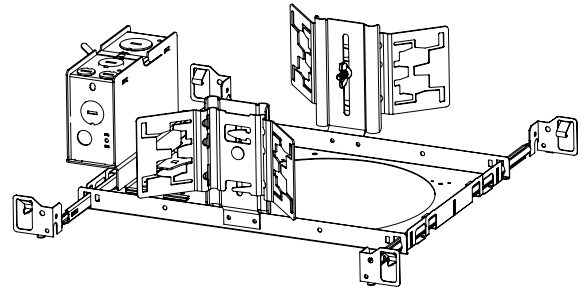
LABELS & LISTINGS

Buy American & ARRA compliant, UL Listed



Rough-In Frame Kit

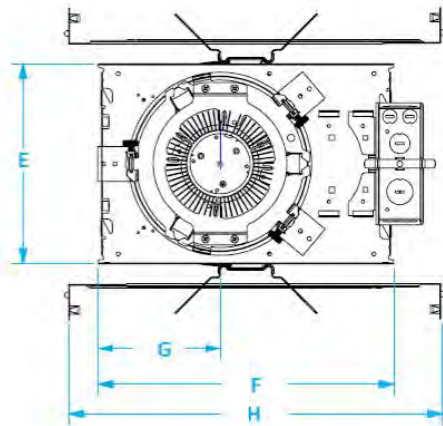
For LRD®, SDR® Downlight Retrofits



DIMENSIONS & FIXTURE CONFIGURATIONS

Rough-In Frame Kit

	6"	8"	10"
E Frame Width	8.59"	8.59"	12.92"
F Frame Length	14.57"	14.57"	18.60"
G Hole Center to Frame Short Side	5.24"	5.24"	8.00"
H Mounting Bar Length	Adjustable 14.20" - 26.00"	Adjustable 14.20" - 26.00"	Adjustable 14.20" - 26.00"



MODEL NUMBER / ORDERING KEY

RK	-	
ROUGH-IN FRAME KIT		SIZE
RK		06 Compatible with 6" LRD
		08 Compatible with 8" LRD
		10 Compatible with 10" LRD

Product specifications subject to change without notice.
 For the most current spec sheet visit our website www.lumenoptix.com