

FEATURES AND BENEFITS

- Converts any existing recessed round downlight to LED
- Below the ceiling tool-less installation in minutes
- Interchangeable twist and lock LED module
- Optimized for maximum efficacy and efficiency
- Superior color rendering with typical >92 CRI
- Superior fixture to fixture consistency over lifetime
- Specification grade construction and optical system
- Up to 90% in energy savings over conventional energy sources
- 50,000 hour life at L70, significantly reduces maintenance costs
- EnergyStar®, CSA certified for damp locations
- Made in the USA. ARRA and Buy American compliant



Downlights
**LED Retrofit Downlights
 GE Module**

MECHANICAL

Housing: Made from 16GA galvanized steel with flange to accommodate different size openings. Three tool-less adjustable clips assure proper seating to any ceiling thickness (see below table).

Reflector: Proprietary designed, spun 16GA, polished anodized aluminum in narrow, medium and wide distributions for different applications. Available in clear Alzak®, semi-spec and diffused finish. Additional colors are also available.

Lens: Optional frosted or transparent.

Accessories: Goof rings, remodel rings, 347V step-down transformers. For rough-in kits, consult factory. See reverse side for details.

ELECTRICAL

LED Light Engine: GE Infusion Twist and Lock replacable LED module with typical 92 CRI, 90 CRI minimum and 50,000 hours at L70.

LED Driver: Available with a variety of dimming options (see ordering key for details). Attached junction box pre-wired with flexible metal cable for connection to a 1/2" trade size KO. A pre-wired quick connect is included to simplify wiring.²

TECHNICAL DATA ¹					
LUMEN PACKAGE	1000	1500	2000	3000	4000
NOMINAL WATTAGE	11	14	22	34	43
POWER FACTOR	>0.9	>0.9	>0.9	>0.9	>0.9
THD	<10%	<10%	<10%	<10%	<10%
CRI	>90	>90	>90	>90	>90
INPUT FREQUENCY	% Hz	% Hz	% Hz	% Hz	% Hz

¹Values are for non-dimming and 0-10V dimming.

WARRANTY

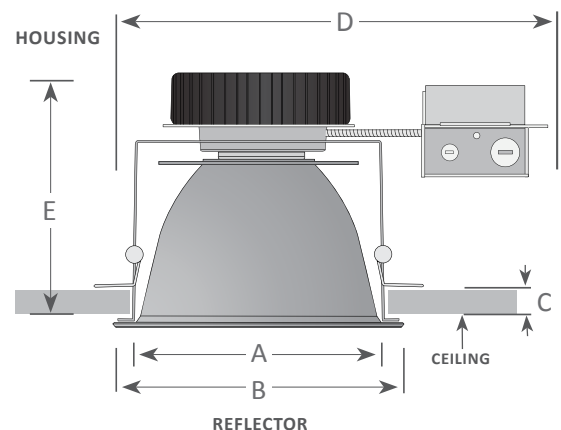
10 year limited warranty on luminaire. Pass through warranties on components when used in accordance with manufacturing guidelines. See www.lumenoptix.com for details.

LABELS & LISTINGS



DIMENSIONS & FIXTURE CONFIGURATIONS

	6"	7"	8"	10"
A Cut-Out Dimension <i>Without Goof Ring³</i>	6.50" - 6.97"	7.27" - 7.82"	7.87" - 8.42"	9.86" - 10.34"
B Reflector Diameter	7.40"	8.09"	8.78"	10.79"
C Maximum Ceiling & Rough-In Kit Thickness	1.75"	3.00"	3.50"	4.60"
D Width of LRD with Swing Arm Extended	Consult factory	Consult Factory	Consult factory	Consult factory
E Height from bottom of ceiling	5.34" - 6.81" Consult factory	6.59" - 8.06" Consult factory	7.01" - 8.48" Consult factory	8.11" - 9.58" Consult factory



² Fixture is not tested for through wiring.

³ Consult factory for cutout dimensions when using goof rings.

MODEL NUMBER / ORDERING KEY

SERIES	SIZE	NOMINAL LUMENS	COLOR TEMPERATURE AND CRI	BEAM SPREAD	REFLECTOR FINISH	REFLECTOR COLOR	FLANGE	DIMMING
LRD2 LED Retrofit Downlight Specification Grade GE DLM Infusion	06 6"	10 1000 lumens	9027 2700K, 92CRI	N Narrow (Not available in 6")	RM Semi-specular (Anodized)	ANODIZED (Blank or CL) Clear	(Blank or FM) Match reflector color	(Blank or DUX) Non dimming (120V-277V)
	07 7"	15 1500 lumens	9030 3000K, 92CRI	M Medium (Not available in 7")	RD Diffused (Anodized)	CZ ² Bronze	FB Black	DU1 0-10V dimming (120V-277V)
	08 8"	20 2000 lumens	9035 3500K, 92CRI	W ¹ Wide	RS Specular (Anodized)	CB ² Black	FW White	DU5 Lutron® Hi-Lume 1% 3 wire dimming (120V-277V) ²
	10 10"	30 3000 lumens	9040 4000K, 92CRI	Wall Wash (6" RD finish only)	RP Painted	CK ² Gold		DU6 Lutron® Hi-Lume 1% EcoSystem dimming (120V-277V)
		40 4000 lumens				CG ² Graphite		D13 ³ Lutron® Hi-Lume 1% 2 wire leading edge dimming (120V)
						CH ² Warm Haze		D14 ³ 2 wire trailing edge dimming (120V)
						CP ² Pewter		
						CT ² Wheat		
						CS ² Straw		
						PAINTED CW ² Painted White		

See dimension chart for exact sizes.

¹ 6" wide beam includes a faceted reflector.

*Contact factory for other anodized and painted colors.
²Not EnergyStar Certified.*

*³Not available with 4000 lumens.
Consult factory for dimmer compatibility, dimmer options and other voltages.*

OPTION (PRE-INSTALLED)

EMERGENCY LIGHTING	LENS	OTHER
(Blank or EBXX) No emergency battery back-up installed	(Blank or LXX) No lens installed	(Blank) No option included
EB ⁴ Emergency battery back-up	L01 ² Frosted lens	
	L02 Transparent lens	

⁴Consult factory.

²Not EnergyStar Certified.

VISIT WWW.LUMENOPTIX.COM FOR AVAILABLE ACCESSORIES

GOOF RING	REMODEL RING	STEP DOWN TRANSFORMER
GR Goof Ring	RR Remodel Ring	V2 ⁴ Step-down transformer (for 347-480V)
GC ⁴ Goof Ring, custom color or size	RK Rough-in Kit	

⁴Consult factory.

Product specifications subject to change without notice.
For the most current spec sheet, visit our website www.lumenoptix.com.