

FEATURES AND BENEFITS

- Optimized for maximum efficacy and efficiency
- Converts any existing recessed round downlight to LED
- Below the ceiling tool-less installation in minutes
- Exceptional color rendering with >90 CRI
- Superior fixture to fixture consistency over lifetime
- Specification grade construction and optical system
- Up to 90% in energy savings over conventional light sources
- 50,000 hour life at L70 significantly reduces maintenance costs
- Optional sunset dimming. Dims from 2700K - 1800K
- EnergyStar®, CSA certified for damp locations
- Made in the USA. ARRA and Buy American compliant



Downlights
**LED Retrofit Downlight
 Cree LMH2 Module**

MECHANICAL

Housing: Made from 16GA galvanized steel with flange to accommodate different size openings. Three tool-less adjustable clips assure proper seating to any ceiling thickness (see below table).

Reflector: Proprietary designed, spun 16GA, polished anodized aluminum in narrow, medium and wide distributions for different applications. Available in clear Alzak®, semi-spec and diffused finish. Additional colors are also available.

Lens: Optional frosted or transparent.

Accessories: Goof rings, remodel rings, 347V step-down transformers. For rough-in kits, consult factory. See reverse side for details.

ELECTRICAL

LED Light Engine: CREE™ LMH2 LED module with typical 92 CRI, 90 CRI

LED Driver: Available with a variety of dimming options (see ordering key for details). Attached or remote junction box pre-wired with flexible metal cable for connection to a 1/2" trade size KO. A pre-wired quick connect is included to simplify wiring.²

WARRANTY

10 year limited warranty on luminaire. Pass through warranties on components when used in accordance with manufacturing guidelines. See www.lumenoptix.com for details.

LABELS & LISTINGS

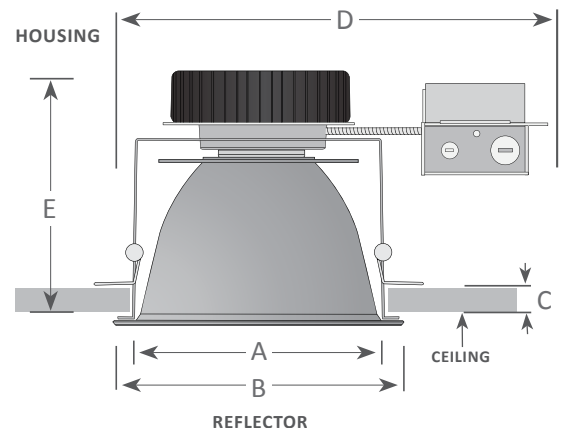


TECHNICAL DATA ¹						
LUMEN PACKAGE	1250	2000	3000	4000	6000	8000
NOMINAL WATTAGE	16	24	36	43	80	103
POWER FACTOR	>0.9	>0.9	>0.9	>0.9	>0.9	>0.9
THD	<10%	<10%	<10%	<10%	<10%	<10%
CRI	>90	>90	>90	>90	>90	>90
INPUT FREQUENCY	% Hz	% Hz	% Hz	% Hz	% Hz	% Hz

¹ Values are for non-dimming and 0-10V dimming.

DIMENSIONS & FIXTURE CONFIGURATIONS

	6"	7"	8"	10"
A Cut-Out Dimension Without Goof Ring ³	6.50" - 6.97"	7.27" - 7.82"	7.87" - 8.42"	9.86" - 10.34"
B Reflector Diameter	7.40"	8.09"	8.78"	10.79"
C Maximum Ceiling & Rough-In Kit Thickness	1.75"	3.00"	3.50"	4.60"
D Width of LRD with Swing Arm Extended	Consult factory	Consult Factory	Consult factory	Consult factory
E Height from bottom of ceiling	5.34"- 6.81" Consult factory	6.59"- 8.06" Consult factory	7.01"- 8.48" Consult factory	8.11"- 9.58" Consult factory



² Fixture is not tested for through wiring.

³ Consult factory for cutout dimensions when using goof rings.

Downlights
LED Retrofit Downlight
Cree LMH2 Module

MODEL NUMBER / ORDERING KEY

SERIES	SIZE	NOMINAL LUMENS	COLOR TEMPERATURE AND CRI	BEAM SPREAD	REFLECTOR FINISH	REFLECTOR COLOR	FLANGE	DIMMING
LRD3								
LRD3 LED Retrofit Downlight - Specification Grade Cree LMH2	06 6" 07 7" 08 8" 10 10"	10 1250 lumens 20 2000 lumens 30 3000 lumens 40 ¹ 4000 lumens 60 ¹ 6000 lumens 80 ¹ 8000 lumens	9327 2700K, 92CRI 9330 3000K, 92CRI 9335 3500K, 92CRI 9340 4000K, 92CRI 9350 ² 5000K, 92CRI 9427 2700K - 1800K Sunset Dimming, 92CRI	N Narrow (Not available in 6") M Medium (Not available in 7") W ³ Wide Wall Wash (6" & RD finish only)	RM Semi-specular (Anodized) RD Diffused (Anodized) RS Specular (Anodized) RP Painted	ANODIZED (Blank or CL) Clear CZ ⁴ Bronze CB ⁴ Black CK ⁴ Gold CG ⁴ Graphite CH ⁴ Warm Haze CP ⁴ Pewter CT ⁴ Wheat CS ⁴ Straw PAINTED CW ⁴ Painted White	(Blank or FM) Match reflector color FB Black FW White	(Blank or DUX) Non dimming (120V-277V) DU1 0-10V dimming (120V-277V) DU5 ⁵ Lutron® Hi-Lume 1% 3 wire dimming (120V-277V) DU6 Lutron® Hi-Lume 1% EcoSystem dimming (120V-277V) ⁴ D13 ⁵ Lutron® Hi-Lume 1% 2 wire leading edge dimming (120V) D14 ⁵ 2 wire trailing edge dimming (120V)
	See dimension chart for exact sizes.	¹ N/A w sunset dimming. Consult factory for max ambient temperature.	² Only available with 4000 or 6000 lumens.	³ 6" wide beam includes a faceted reflector.		Consult factory for other anodized and painted colors. ⁴ Not EnergyStar certified.		⁵ Not available with 8000 lumens. ⁶ Not available with 6000 lumens or greater. Consult factory for dimmer compatibility, dimmer options and other voltages.

OPTION (PRE-INSTALLED)

EMERGENCY LIGHTING	LENS	OTHER
(Blank or EBXX) No emergency battery back-up installed EB01 ⁵ Emergency battery back-up	(Blank or LXX) No lens installed L01 ⁴ Frosted lens L02 Transparent lens	(Blank) No option included
⁵ Not available with 8000 lumens.	⁴ Not EnergyStar Certified.	

VISIT WWW.LUMENOPTIX.COM FOR AVAILABLE ACCESORIES

GOOF RING	REMODEL RING	STEP DOWN TRANSFORMER
GR Goof Ring GC ⁷ Goof Ring, custom color or size	RR Remodel Ring RK Rough-in Kit	V2 ⁷ Step-down transformer (for 347-480V)
⁷ Consult factory.		⁷ Consult factory.

Product specifications subject to change without notice.
For the most current spec sheet, visit our website www.lumenoptix.com.

