

FEATURES AND BENEFITS

- Converts any existing recessed round downlight to LED
- Below the ceiling tool-less installation in minutes
- Specification grade construction and optical system
- Optimized for maximum efficacy and efficiency
- Exceptional color rendering with 82 CRI typical
- Superior fixture to fixture consistency over lifetime
- Up to 90% in energy savings over conventional light sources
- 50,000 hour life at L70, significantly reduces maintenance costs
- CSA certified for damp location
- Made in the USA, ARRA and Buy American compliant



Downlights Specification Downlight Retrofit

MECHANICAL

Housing: Made from 16GA galvanized steel with flange to accommodate different size openings. Three tool-less adjustable clips assure proper seating to any ceiling thickness (see below table).

Reflector: Proprietary designed, spun 16GA, polished anodized aluminum in narrow, medium and wide distributions for different applications. Available in clear Alzak®, semi-spec and diffused finish. Additional colors are also available.

Lens: Optional frosted or transparent.

Accessories: Goof rings, remodel rings, 347V step-down transformers. For rough-in kits, consult factory. See reverse side for details.

ELECTRICAL

LED Light Engine: Lumileds L2C2 12XX series COB LEDs with typical 82 CRI minimum.

LED Driver: Available with a variety of dimming options (see ordering key for details). Attached or remote junction box pre-wired with flexible metal cable for connection to a 1/2" trade size KO. A pre-wired quick connect is included to simplify wiring.²

WARRANTY

10 year limited warranty. Pass through warranties on components when used in accordance with manufacturing guidelines. See www.lumenoptix.com for details.

LABELS & LISTINGS

Listed to UL Standard UL1598 and UL8750 by CSA for use in the USA and Canada.



TECHNICAL DATA ¹					
LUMEN PACKAGE	1000	1500	2000	3000	4000
NOMINAL WATTAGE	14	21	26	41	49
POWER FACTOR	>0.9	>0.9	>0.9	>0.9	>0.9
THD	<10%	<10%	<10%	<10%	<10%
CRI	>80	>80	>80	>80	>80
INPUT FREQUENCY	50/60 Hz	50/60 Hz	50/60 Hz	50/60 Hz	50/60 Hz

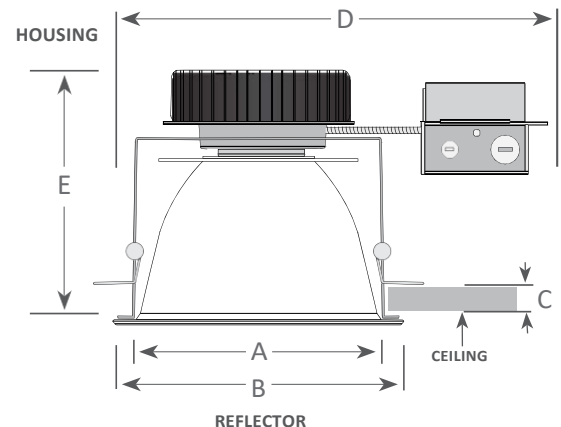
¹ Values are for non-dimming and 0-10V dimming.

DIMENSIONS & FIXTURE CONFIGURATIONS

	6" Small	6"	7"	8"	10"
A Cut-Out Dimension ³ Without Goof Ring	5.90" - 6.37"	6.50" - 6.97"	7.27" - 7.82"	7.87" - 8.42"	9.86" - 10.34"
B Reflector Diameter	6.82"	7.40"	8.09"	8.78"	10.79"
C Maximum Ceiling & Rough-In Kit Thickness	2.25"	1.75"	3.00"	3.50"	4.60"
D Width of SDR with Swing Arm Extended	Consult factory	Consult factory	Consult factory	Consult factory	Consult factory
E Height from Bottom of Ceiling	4.79" - 6.20"	4.99" - 6.40"	6.24" - 7.65"	6.65" - 8.06"	7.76" - 9.16"
	Consult factory	Consult factory	Consult factory	Consult factory	Consult factory

² Fixture is not tested for through wiring.

³ Consult factory for cutout dimensions when using goof rings.



Downlights

Specification Downlight Retrofit

MODEL NUMBER / ORDERING KEY

SERIES	LUMEN	LEDTYPE/CRI	COLOR TEMPERATURE	BEAM	FINISH	COLOR	FLANGE	DIMMING
SDR6S 6" Downlight Small	10 1000 lumens	LA8 Lumileds COB-82CRI	27K 2700 Kelvin	N¹ Narrow	RM Semi-specular (Anodized)	ANODIZED (Blank or CL) Clear	(Blank or FM) Match reflector color	D1X Non dimming (120V)
SDR6 6.5" Downlight	15 1500 lumens		30K 3000 Kelvin	M² Medium	RD Diffused (Anodized)	CZ⁵ Bronze	FB Black	D2X Non dimming (277V)
SDR7 7" Downlight	20 2000 lumens		35K 3500 Kelvin	W³ Wide	RS Specular (Anodized)	CB⁵ Black	FW White	D11 0-10V dimming (120V)
SDR8 8" Downlight	30 3000 lumens		40K 4000 Kelvin	S⁴ Wall Wash	RP Painted	CK⁵ Gold		D21 0-10V dimming (277V)
SDR10 10" Downlight	40 4000 lumens		50K 5000 Kelvin			CG⁵ Graphite		D15 Lutron® Hi-Lume 1% 3 wire dimming (120V)
						CH⁵ Warm Haze		D25 Lutron® Hi-Lume 1% 3 wire dimming (277V)
						CP⁵ Pewter		D16 Lutron® Hi-Lume 1% EcoSystem dimming (120V)
						CT⁵ Wheat		D26 Lutron® Hi-Lume 1% EcoSystem dimming (277V)
						CS⁵ Straw		D13 Lutron® Hi-Lume 1% 2 wire leading edge dimming (120V)
						PAINTED CW⁵ Painted White		D14 2 wire trailing edge dimming (120V)
<i>See dimension chart for exact sizes.</i>	<i>Consult factory for max ambient temperature.</i>			¹ Narrow beam not available on 6". ² Medium beam not available on 7". ³ 6" wide beam includes a faceted reflector. ⁴ Wall wash only available on 6".	<i>Contact factory for other anodized and painted colors.</i> ⁵ Not EnergyStar certified.	<i>Consult factory for custom colors.</i>	<i>Consult factory for dimmer compatibility, dimmer options and other voltages.</i>	

OPTIONS (PRE-INSTALLED)

EMERGENCY LIGHTING	LENS	OTHER
(Blank or EBXX) No emergency battery back-up installed	(Blank or LXX) No lens installed	(Blank) No option included
EB01 Emergency battery back-up	L01³ Frosted lens	
	L02 Transparent lens	
	³ Not EnergyStar certified.	

VISIT WWW.LUMENOPTIX.COM FOR AVAILABLE ACCESSORIES

GOOF RING	REMODEL RING	STEP DOWN TRANSFORMER
GR Goof Ring	RR Remodel Ring	V2⁶ Step-down transformer (for 347-480V)
GC Goof Ring, custom color or size	RK Rough-in Kit	⁶ Must select 277V dimming option.

Product specifications subject to change without notice.
For the most current spec sheet, visit our website www.lumenoptix.com.

