

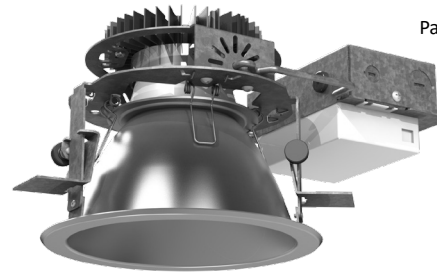
Installation Guide

LED Retrofit Downlight Series

Important Safety Instructions

Read and follow these warnings and instructions before installing or maintaining this product.

- **WARNING** – Risk of fire or electric shock. To avoid electrical shock or fixture damage turn off power at the electrical panel prior to installation or maintenance.
- **WARNING** – Installation of this retrofit assembly requires a person familiar with the construction and operation of the luminaire's electrical system and the hazard involved. If not qualified, do not attempt installation. Contact a qualified electrician.
- **WARNING** – Risk of fire or electric shock. Luminaire wiring and electrical parts may be damaged when drilling for installation of LED retrofit kit. Check for enclosed wiring and components.
- **WARNING** – To prevent wiring damage or abrasion, do not expose wiring to edges of sheet metal or other sharp objects.
- Warranty is void in case of unauthorized modifications and/or improper use. Do not make or alter any open holes in an enclosure of wiring or electrical components during kit installation.
- This product must be installed by a person familiar with the construction and operation of the product and the hazards involved, in accordance with the applicable NEC code.
- This unit is intended for retrofitting UL listed luminaires only.
- Do not install damaged product.
- Save these instructions and refer to them when additions, changes or services to the fixture or system are made.
- The retrofit kit is accepted as a component of a luminaire where the suitability of the combination shall be determined by CSA or authorities having jurisdiction.
- Per the NEC, this fixture is non-plenum rated for use in ducts specifically fabricated for environmental air. It is suitable for use above the ceiling in open spaces used for environmental air.
- 35°C maximum cavity temperature during lamp operation unless specifically stated otherwise on product specification sheet.



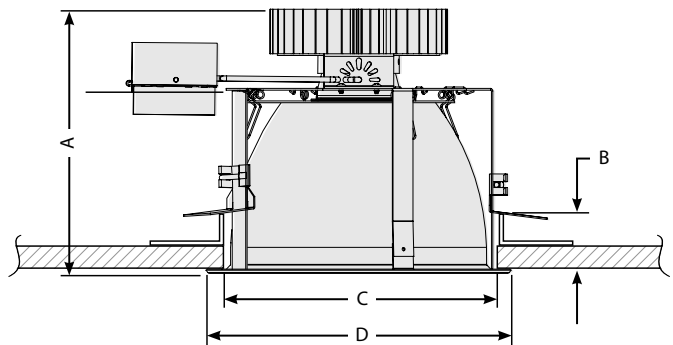
Patent Pending

Tools Needed

- This unit does not require any tools for installation.
- Tools may be needed for accessing current J-box (power) or removing current lamp or fixture. Refer to original manufacturer instructions.

Application

- This unit is intended to retrofit existing downlight luminaires. See diagram below for required sizes.
- For any other applications, please consult the manufacturer.



		6"	7"	8"	10"
A	Height from Bottom of Reflector to Top of Heat Sink	5.10" - 6.67" Consult Factory	6.35" - 7.93" Consult Factory	6.76" - 8.28" Consult Factory	7.86" - 9.38" Consult Factory
B	Maximum Ceiling and Rough-in Kit Thickness	1.625"	3.00"	3.50"	4.60"
C	Cut-Out Dimension for Ceiling Without Goof Ring	6.50" - 6.97"	7.27" - 7.82"	7.87" - 8.42"	9.86" - 10.34"
D	Reflector Diameter	7.40"	8.09"	8.80"	10.80"

Installation Guide LED Retrofit Downlight Series

1. POWER

- a. Disconnect your electrical power before installation. Never perform any work on a live circuit.

2. REMOVE existing components

- a. Remove and discard existing lamp(s) and reflector (see figure 2). Dispose of properly.
- b. Remove junction box cover and disconnect wiring (see figure 2)
- c. Remove and discard existing light fixture's components, such as lamp sockets, ballasts, etc., while retaining existing rough-in kit components (such as plaster frames, mounting plates, butterfly brackets, hanger bars, junction box) in place. Dispose of properly. (see figures 2)

3. CONNECT

- a. Loop one end of tether to existing rough-in kit (see figure 3a)
- b. Attach other end of tether to LRD housing and let hang (see figure 3b)
- c. Punch knock out in existing junction box and connect the flex cable from LRD to knock out. Wire the flex cable in the junction box to the power supply (see figure 3c)
- d. After wiring is complete, snap on existing junction box cover

4. INSTALL

- a. Slide LRD housing (without reflector) into existing rough-in kit (see figure 4a)
- b. Reach up and slide all three L-brackets down to engage to existing rough-in kit and securely tighten wing nuts (see figure 4b)

5. COMPLETE installation

- a. Tilt LRD J-box into position
- b. Snap in reflector, and you're done (see figure 5b)

